



## M3D-ENV22OF-W 22" Touch Monitor

The Enabl3D™ M3D-ENV22OF-W display represents the cutting-edge of multi-view auto-stereoscopic Touch LCD technology. It combines high definition resolution and unparalleled image quality with configurable I/O for digital signage.

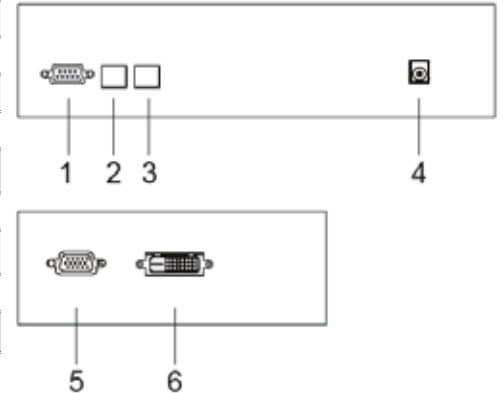
### Key Features:

- **E3D™ Auto-Stereo Technology**
  - 9 point multi-viewing zones with True Volumetric Perception
- **True Volumetric Perception™**
  - Precision perspective of the visual content effect when going from depth to full POP
- **Prolonged Life Time**
  - 50,000 hours of viewing time to half of its original brightness
- **Durable and Professional Design**
  - All metal structure that's sleek & low-key look makes the content stand out
- **Configurable I/O**
  - VGA / DVI / RS232 (optional)

## 22" ENVOLV TOUCH DISPLAY

| ENABL3D™                                |   |
|---|---|
| Optimal Viewing Distance (ft)           | 2' - 4'   |
| True Volumetric Perception™             | 8"  |
| 3D Viewing Angle (Left/right)           | 50° / 50°   |
| 2D Viewing Angle                        | 170° / 160°   |
| Resolution                              | 1680 x 1050   |
| LCD PANEL                               |   |
| Brightness                              | 280 nits  |
| Contrast Ratio                          | 1000:1  |
| Response Time                           | 5ms (Tr+Tf)   |
| SIGNAL COMPATIBILITY / CONNECTIVITY     |   |
| Horizontal / Vertical Frequency         | 30 ~ 82 KHz / 50 ~ 75 Hz  |
| Input Resolution                        | 1680 x 1050 @ 60Hz (Analog)<br>1680 x 1050 @ 60Hz (Digital)   |
| DDC                                     | DDC 2B Compliance   |
| Connector                               | VGA / DVI   |
| MECHANICAL                              |   |
| Dimension (WxHxD)                       | 503.2 x 418.09 x 240.85 mm / 19.81 x 16.46 x 9.48   |
| Weight                                  | 7.8 ± 0.3 kg / 17.20 ± 0.66 lb  |
| Wall / Arm Mount Type                   | 100 mm x 100 mm VESA  |
| OSD FUNCTIONS                           |   |
| OSD Control Function                    | RS232C, Push Button, IR Remote Controller   |
| OSD Language Function                   | English, French, Spanish, Italian, German, Finnish, Japanese, Traditional Chinese, Simplified Chinese |
| ELECTRICAL                              |   |
| Power Supply                            | DC 12V  |
| Normal Operation                        | ≅ 50 W  |
| Suspend / Standby                       | ≅ 2.1 W   |
| ENVIRONMENTAL                           |   |
| Operating Temperature                   | 5 °C ~ 40 °C, 85% RH  |
| Storage Temperature                     | -20 °C ~ 60 °C, 85% RH  |
| OPTIONS                                 |   |
| Communication Port (Transport Protocol) | D-Sub 9 Pin In, RJ45 In/Out (RS232C In, RS-485 In/Out)  |
| Protective Surface                      | 3mm AR Tempered Glass   |
| DIMENSIONS                              |   |

### INTERFACE



1. RS232 In (Option)
2. RS485 In (Option)
3. RS485 Out (Option)
4. DC In
5. DVI
6. VGA

